

# **KACHINA 505 CABLING**

Submitted by W3FRG

The Kachina 505 Transceiver cabling information is contained within the Kachina Installation & Operation Guide furnished with the 505 when received new.

- **Cable Connections, Internal Control head**

Reference page 6, Figure 2 of the Kachina Installation & Operation Guide

This refers to the control head being installed within your PC chassis, much like a DVD/CD player.

The necessary cables are:

DB9 to DB9 – RS232 Serial port connection

DB9 M to DB9 F – 3 Ft in length

Recommended replacement: L-COM – CS2N9MF-2.5

**NOTE:** Wired straight through

HDE15 to HDE15 – Kachina 505 Control

HDE15M to HDE15M – 15 Ft Typ, 75 Ft Max

Recommended replacement: L-COM – CHD15MM-10

**NOTE:** Wired straight through

JUNCTION PANEL – Supplied by Kachina.

HDE15M to HDE15F and DB9F panel mounted connector jacks

Provides I/F between the 505 Transceiver, Control head

and RS232 port on PC

See figure 4 below.

- **Cable Connections, External Control head**

Reference page 7, Figure 3 of the Kachina Installation & Operation Guide

This refers to the control head being installed outside of the PC on a desk top, as an example.

The necessary cables are:

HDE15 to HDE15 – Kachina 505 Control

HDE15M to HDE15M – 15 Ft Typ, 75 Ft Max

Recommended replacement: L-COM - CHD15MM-10

Wired straight through

RJ12 to DB9F - RS232 Serial port connection

DB9F to RJ12 (6/6) – 10 Ft in length

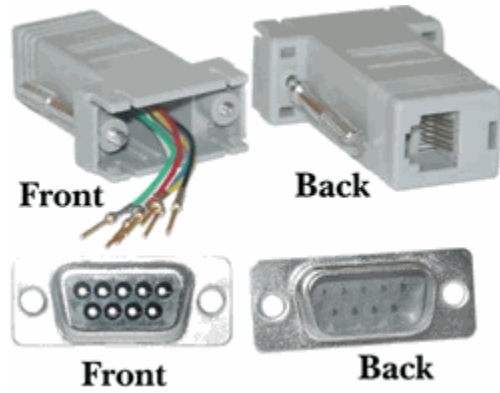
Recommended replacement: L-COM – RA096F with L-COM RJ12 to RJ12 – TDC057-10

See figure 3 below.

This adapter can be attached to the RS232 port on the PC and an RJ12 modular cable run between it and the 505 RJ port located at the rear of the 505 chassis.

**NOTE:** The RJ12 (6x6) modular cable **MUST** be wired straight thru, pin to pin.

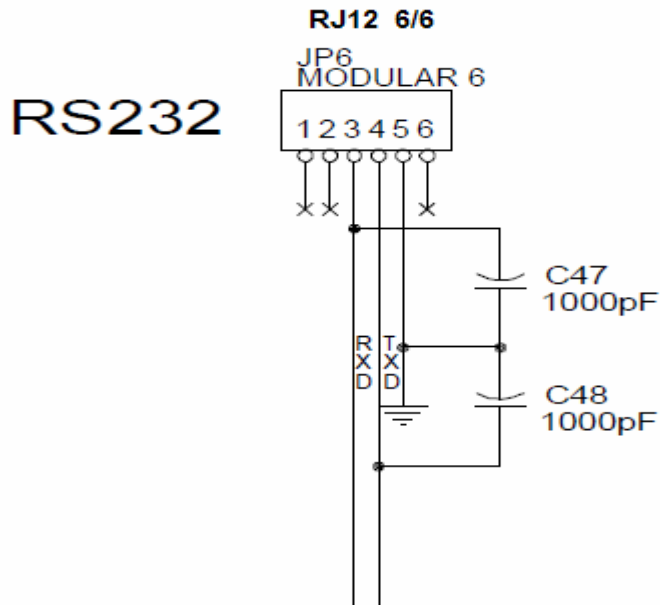
Wiring of these cables is shown in the following figures.



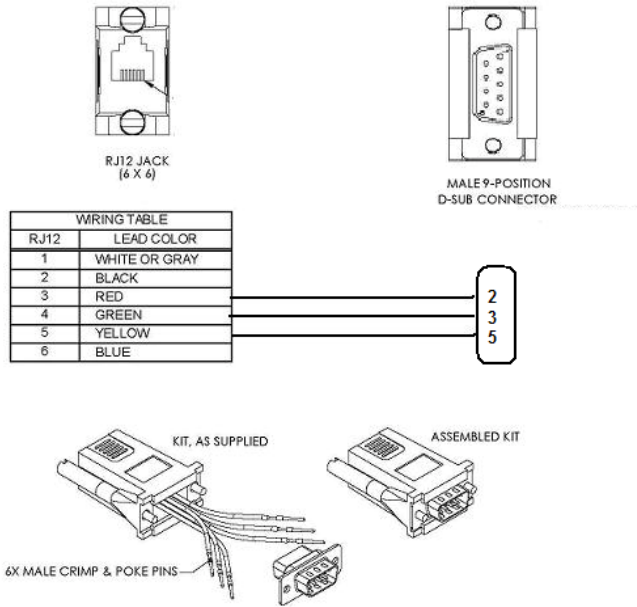
DB9 Female / RJ12 (6/6) Jack  
 This unit allows you to configure your own specific pinouts. When trying to run a serial connection over a very long distance, it is better to use a phone line to do so. It will cut down on signal loss and interference.

**RJ12 Pin Outs:** 1-White, 2-Black, 3-Red, 4-Green, 5-Yellow, and 6-Blue.

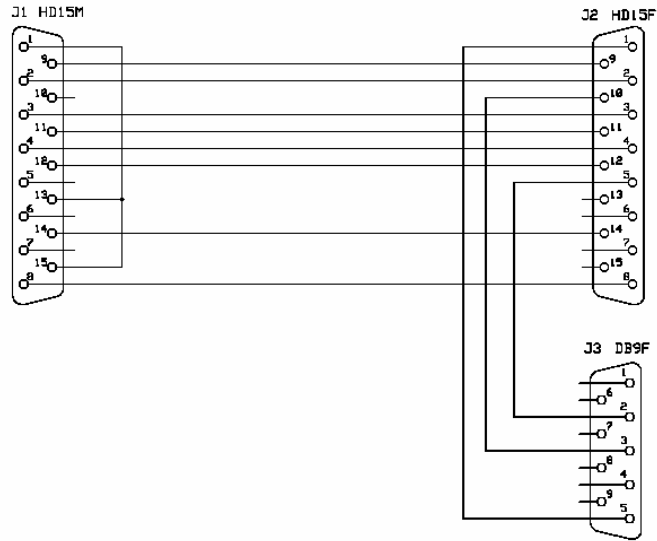
**Figure 1 RJ12 (6x6) to DB9F Adapter**



**Figure 2 Kachina 505 - RJ6 Internal Wiring**



**Figure 3 RJ12 (6x6) to DB9 Connection**



**Figure 4 505 Control Head Junction Cable**